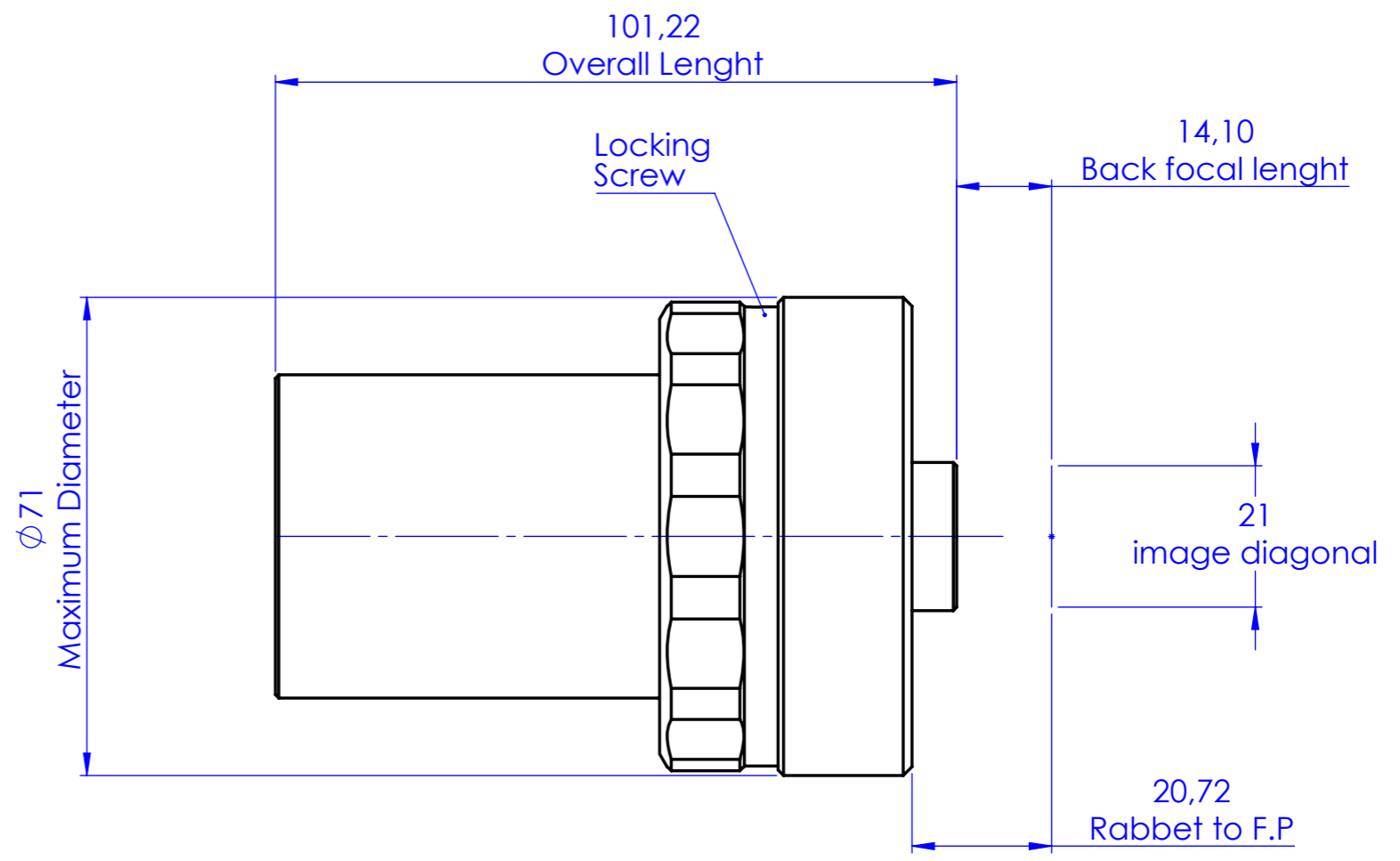
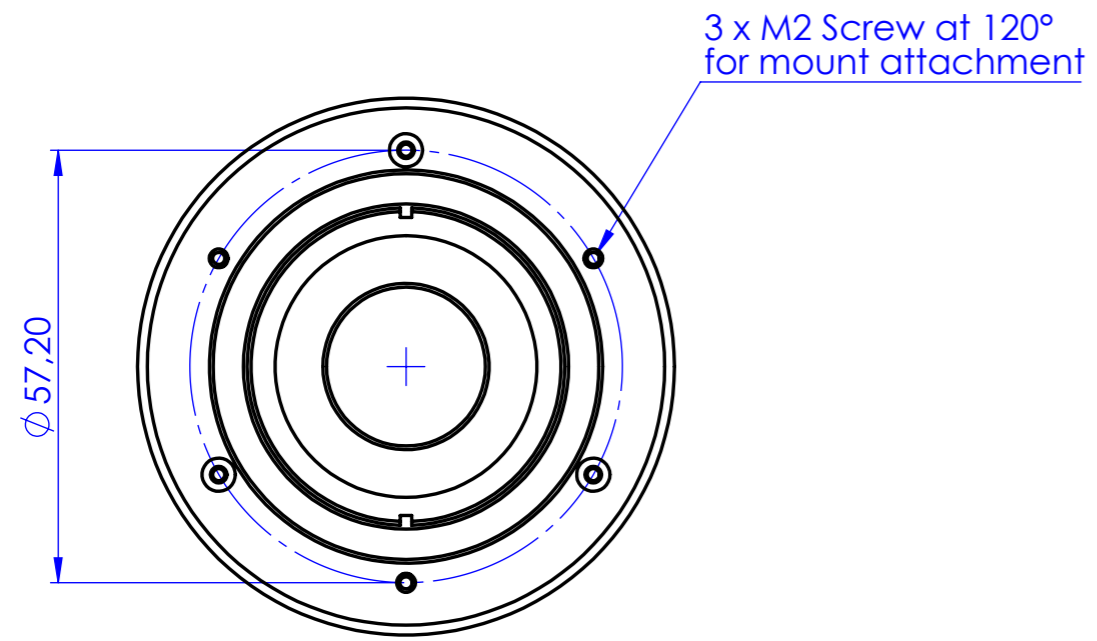


1 2 3 4 5 6 7 8

Rev No.	Description	Date	Name



D  
C  
B  
A

D  
C  
B  
A

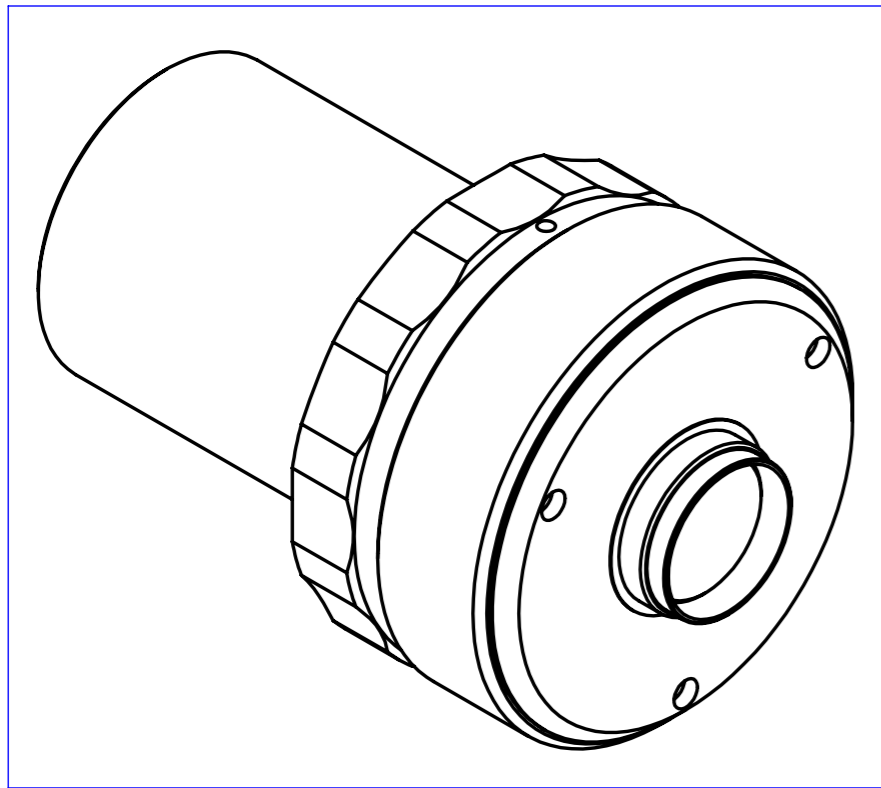
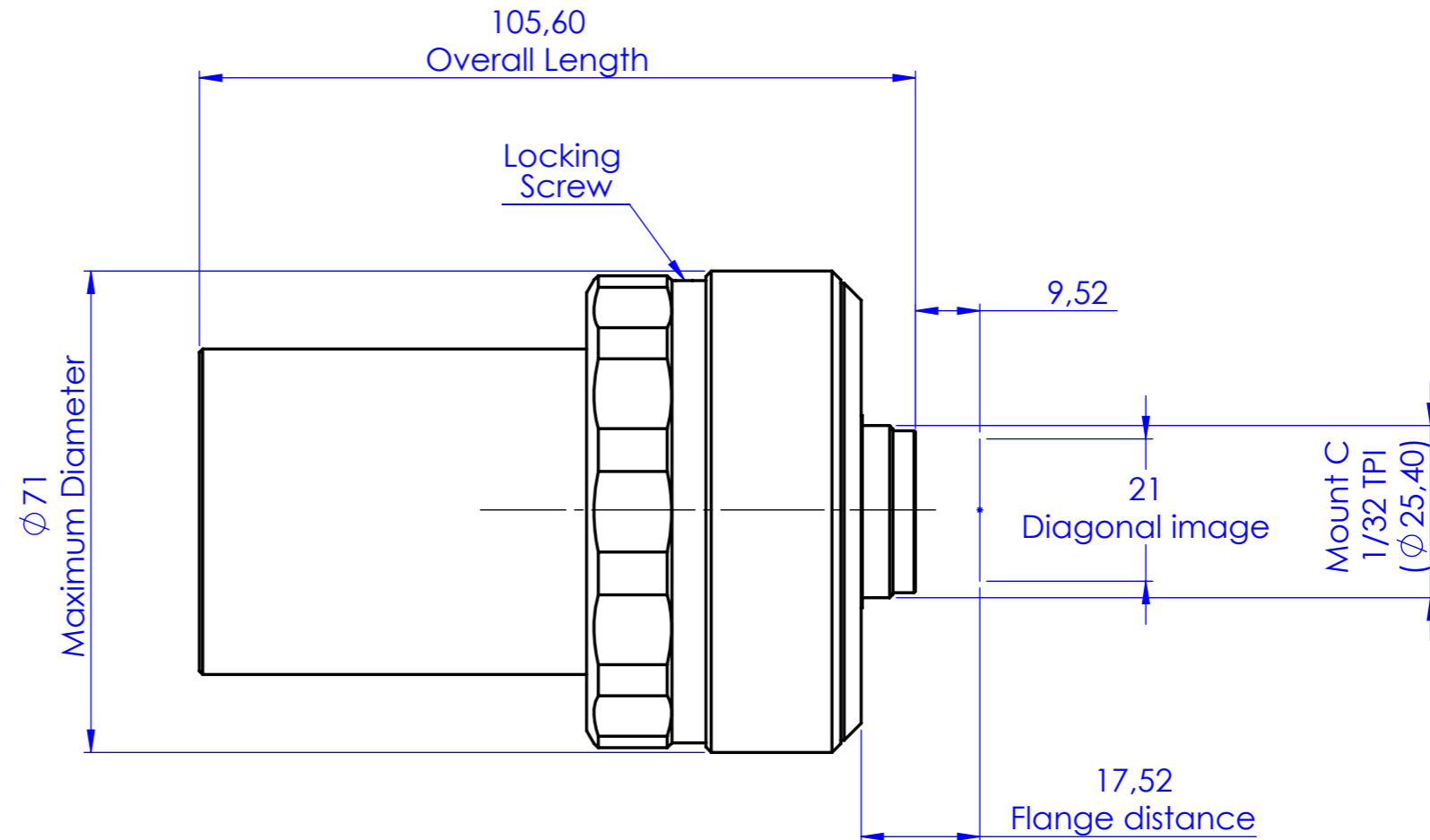
Material	N.A.		Mass	540 g	Scale	1:1			
Surface treatment	N.A.		Part No.	CO71266					
Geometrical tolerance (ISO 2768-2)		Class	K	Description					
Linear tolerance (ISO 2768-2)		Class	m	Undimensioned bevels	0.5x45°	SW07520			
0.5 ±3	>3÷ 6	>6÷ 30	>30÷ 120	>120 ±400	>400± 1000		>1000 ±2000	>2000 ±4000	Undimensioned radii
±0.1	±0.1	±0.2	±0.3	±0.5	±0.8	±1.2	±2	Drawing No.	
		Date	Name	Drawing No.			Sheet		
		Designed	17/07/2012	Vismara	DP71266-A			1/2	
		Drawn	08/03/2016	Rodella					
		Checked				<i>Secret and confidential - All rights reserved - No copy, dissemination or circulation is allowed unless specifically authorized in writing by OPTO ENGINEERING S.r.l. - Any violation shall be legally prosecuted.</i>			
<b>OPTO ENGINEERING S.r.l. - Mantova Italy - Tel. +39 0376 699111 - www.opto-engineering.com</b>									

1 2 3 4 5 6 7 8

0 1 2 3 4 5 6 7 8 9 10

1 2 3 4 5 6 7 8

Rev No.	Description	Date	Name



D  
C  
B  
A

D  
C  
B  
A

Material		N.A.		Mass		600 g		Scale		1:1						
Surface treatment		N.A.		Part No.		CO71266										
Geometrical tolerance (ISO 2768-2)								Class		K		Description				
Linear tolerance (ISO 2768-2)								Class		m			SW07520			
0.5 ±3	>3± 6	>6± 30	>30± 120	>120 ±400	>400± 1000	>1000 ±2000	>2000 ±4000	Undimensioned bevels	0,5x45°		Drawing No.					
±0.1	±0.1	±0.2	±0.3	±0.5	±0.8	±1.2	±2	Undimensioned radii	R 0.5			Sheet				
								Date		Name			Drawing No.		2/2	
								Designed		17/07/2012		Vismara		DP71266-A		
								Drawn		09/03/2016		Rodella				
all dimensions are in mm OPTO ENGINEERING S.r.l. - Mantova Italy - Tel. +39 0376 699111 - www.opto-engineering.com								Checked				Secret and confidential - All rights reserved - No copy, dissemination or circulation is allowed unless specifically authorized in writing by OPTO ENGINEERING S.r.l. - Any violation shall be legally prosecuted.				

1 2 3 0 1 2 3 4 5 6 7 8 9 10 6 7 8